

EN



LK Armatur

Spare Parts and Accessories



Table of Contents

LOADING UNITS

| | |
|------------------------------|---|
| LK 810 ThermoMat G Eco | 4 |
| LK 810 ThermoMat W Eco | 4 |
| LK 810 ThermoMat 2.0 G | 5 |
| LK 811 ThermoMat 2.0 W | 5 |

PUMP GROUPS

| | |
|--|---|
| LK HydronicGroup C/C 90 & C/C 90 Cooling | 6 |
| LK HydronicGroup C/C 125 | 6 |
| LK HydronicGroup C/C 125 Cooling | 7 |

TAP WATER UNIT

| | |
|----------------------------|---|
| LK 250 TapWater Unit | 7 |
|----------------------------|---|

SOLAR PUMP UNITS

| | |
|-------------------------------|---|
| LK 201 / 202 SmartSolar | 8 |
| LK 211 SolarStation S | 8 |
| LK 212 SolarStation | 8 |
| LK 212 SolarStation S | 9 |

THERMIC VALVES

| | |
|---------------------------|----|
| LK 820 ThermoVar® | 9 |
| LK 821 ThermoVar® | 10 |
| LK 823 ThermoVar® | 10 |
| LK 823 ThermoVar® R | 10 |

CHECK VALVES

| | |
|-------------------------|----|
| LK 822 ThermoBac | 11 |
| LK 825 ThermoVar® | 11 |
| LK 826 ThermoBac | 11 |

MIXING VALVES

| | |
|-----------------------------|----|
| LK 525 MultiZone 3R | 12 |
| LK 830 ThermoMix® B | 12 |
| LK 831 ThermoMix® B | 12 |
| LK 840 ThermoMix® | 12 |
| LK 840 ThermoMix® 2.0 | 13 |
| LK 841 ThermoMix® | 13 |
| LK 841 ThermoMix® 2.0 | 13 |
| LK 842 ThermoMix® P | 14 |
| LK 843 ThermoMix® | 14 |
| LK 845 ThermoMix® | 14 |
| LK 846 ThermoMix® | 14 |
| LK 850 ThermoMix® H | 15 |
| LK 851 ThermoMix® H | 15 |

TEMPERATURE CONTROLLERS

| | |
|-----------------------|----|
| LK SmartComfort | 15 |
|-----------------------|----|

VALVE ACTUATORS

| | |
|---|----|
| LK 950 Valve Actuator | 16 |
| Mounting kits for mixing valves of other brands | 16 |

DIFFERENTIAL TEMPERATURE CONTROLLERS

| | |
|--------------------------|----|
| LK 150 SmartSol | 16 |
| LK 160 SmartBio® | 17 |
| LK 162 SmartStove® | 17 |

MIXING / DIVERTING / ZONE VALVES

| | |
|-------------------------------|----|
| LK 525 MultiZone 3W / R | 17 |
|-------------------------------|----|

FILLINGVALVES

| | |
|-------------------------------|----|
| LK 321 MultiFill® Solar | 18 |
| LK 520 MultiFill® 25 | 18 |
| LK 520 MultiFill® 32 | 18 |
| LK 521 MultiFill® | 19 |

VALVE COMBINATIONS

| | |
|-----------------------|----|
| LK 322 CoolUnit | 19 |
|-----------------------|----|

VALVES FOR WATER HEATING

| | |
|-----------------------------|----|
| LK 548 AquaKit | 19 |
| LK 560 AquaKit | 20 |
| LK 505 HydroFill | 20 |
| LK 508 HydroFill | 20 |
| LK 508-DK HydroFill | 20 |
| LK 509 HydroFill | 21 |
| LK 545-22 AquaMix | 21 |
| LK 550 AquaMix | 21 |
| LK 551 HydroMix | 22 |
| LK 551 HydroMix F | 22 |
| LK 551 HydroKit Solar | 23 |
| LK 551 HydroKit HWC | 23 |
| LK 552 HydroMix | 23 |
| LK 680 | 24 |
| LK 683 | 24 |
| LK 684 | 24 |
| LK 685 | 24 |
| LK 686 | 24 |
| LK 688 | 24 |

PRODUCTS FOR UNDERFLOOR HEATING

| | |
|---------------------------------|----|
| LK 420 MiniShunt 2.0 | 25 |
| LK 421 Manifold Shunt | 25 |
| LK 422 Manifold ShuntTmax | 25 |
| LK 423 MiniLoop RTC | 26 |
| LK 430 Manifold | 26 |
| LK 435 OptiFlow | 26 |

ELECTRIC PORTABLE BOILERS

| | |
|---------------------------|----|
| LK 450 EasyHeat P/M | 27 |
|---------------------------|----|

BALL VALVES

| | |
|--------------------------------|----|
| LK 315 BallValve | 27 |
| LK 522 FilterBall | 27 |
| LK 522 FilterBall Magnet | 28 |

OTHER PRODUCTS

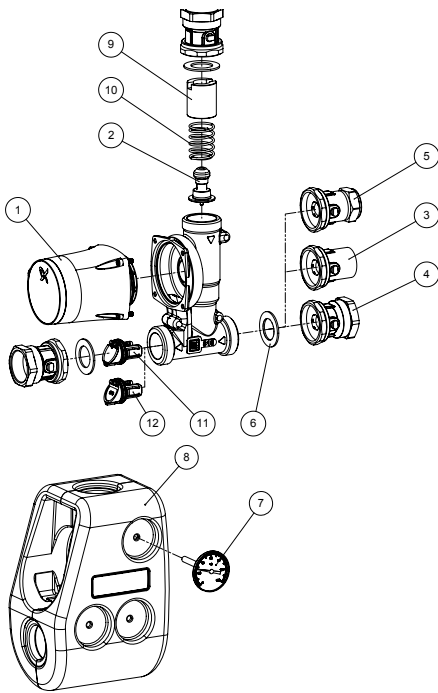
| | |
|--------------------------------|----|
| LK 360 NetMag | 28 |
| LK 556 AntiFreeze | 29 |
| LK 770 AeroSafe | 29 |
| LK 924 / 925 SafetyGroup | 30 |
| LK 994 SafetyGroup | 30 |
| LK MultiConnection | 31 |
| Prefabricated pipes | 31 |

LK ACASO PRODUCTS

| | |
|--|----|
| Termovar - Loading valve | 32 |
| Termovar - Thermic loading valve | 32 |
| Termovar - Thermic loading valve | 33 |
| Termomix C and D - Mixing valve | 33 |
| Termomix D - Mixing valve | 33 |
| Termomix C - Mixing valve | 34 |
| Termomix C - Mixing valve | 34 |

Loading Unit

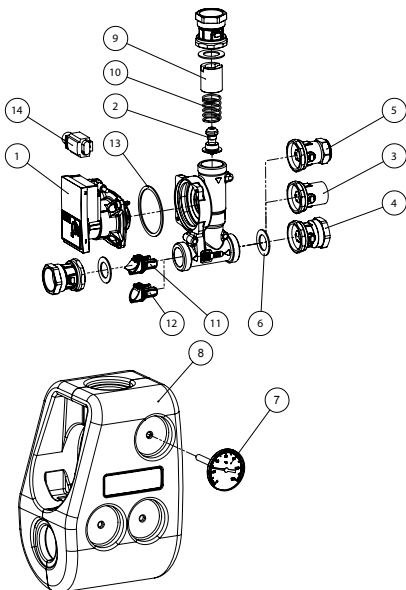
LK 810 ThermoMat G Eco



| Article no. | Article | Position |
|-------------|------------------------------------|----------|
| 187040 | Pump motor Grundfos Alpha 2L 15-60 | 1 |
| 187015 | LK 810 Thermostatic element 55°C | 2 |
| 187016 | LK 810 Thermostatic element 60°C | 2 |
| 187023 | LK 810 Thermostatic element 65°C | 2 |
| 187024 | LK 810 Thermostatic element 70°C | 2 |
| 187017 | Ball valve F 1" | 3 |
| 187018 | Ball valve F 1¼" | 4 |
| 187019 | Ball valve 28 mm | 5 |
| 013025 | Gasket EPDM 1½" - Ø44 x Ø27 x 2 mm | 6 |
| 180352 | Thermometer 120°C | 7 |
| 187020 | EPP insulation LK 810 | 8 |
| 016168 | Element housing | 9 |
| 014069 | Spring | 10 |
| 187021 | Check valve 810 / 811 | 11 |
| 187022 | Plug 810 / 811 | 12 |

Loading Unit

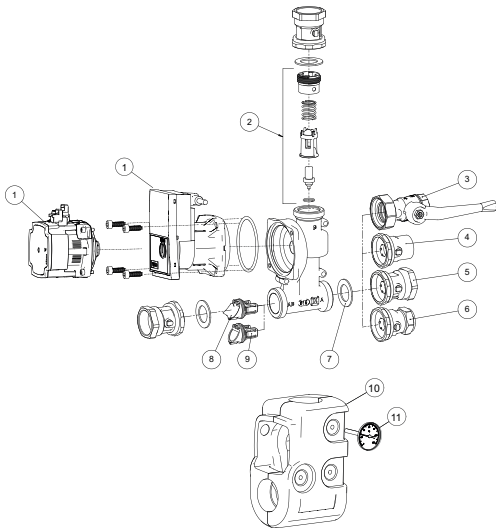
LK 810 ThermoMat W Eco



| Article no. | Article | Position |
|-------------|------------------------------------|----------|
| 187106 | Pump motor Wilo Yonos PARA */6 RKC | 1 |
| 187015 | LK 810 Thermostatic element 55°C | 2 |
| 187016 | LK 810 Thermostatic element 60°C | 2 |
| 187023 | LK 810 Thermostatic element 65°C | 2 |
| 187024 | LK 810 Thermostatic element 70°C | 2 |
| 187017 | Ball valve F 1" | 3 |
| 187018 | Ball valve F 1¼" | 4 |
| 187019 | Ball valve 28 mm | 5 |
| 013025 | Gasket EPDM 1½" - Ø44 x Ø27 x 2 mm | 6 |
| 180352 | Thermometer 120°C | 7 |
| 187020 | EPP insulation LK 810 | 8 |
| 016168 | Element housing | 9 |
| 014069 | Spring | 10 |
| 187021 | Check valve 810 / 811 | 11 |
| 187022 | Plug 810 / 811 | 12 |
| 026136 | Gasket | 13 |
| 095220 | Connector | 14 |

Loading Unit

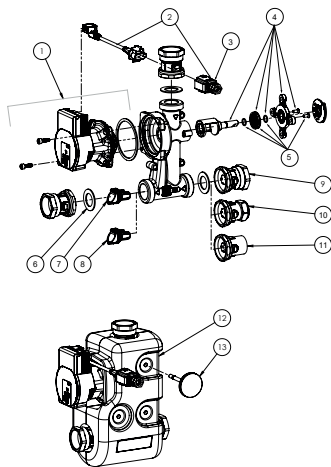
LK 810 ThermoMat 2.0



| Article no. | Article | Position |
|-------------|-------------------------------|----------|
| 187168 | Grundfos UPM3 Auto xx-70 | 1 |
| 187347 | Wilo Para */8 SC FS14 | 1 |
| 187163 | Thermostatic element 55 °C | 2 |
| 187164 | Thermostatic element 60 °C | 2 |
| 187165 | Thermostatic element 65 °C | 2 |
| 187166 | Thermostatic element 70 °C | 2 |
| 055577 | Ball valve F 1" with handles | 3 |
| 187329 | Ball valve F 1¼" with handles | 3 |
| 187017 | Ball valve F 1" | 4 |
| 187018 | Ball valve F 1¼" | 5 |
| 187019 | Ball valve 28 mm | 6 |
| 013057 | Sealing EPDM 44x32x2 mm | 7 |
| 187021 | Check valve 810 / 811 | 8 |
| 187022 | Plug 810 / 811 | 9 |
| 187167 | EPP Insulation | 10 |
| 180352 | Thermometer 120 °C | 11 |

Loading Unit

LK 811 ThermoMat 2.0 W



| Article no. | Article | Position |
|-------------|------------------------------------|----------|
| 187347 | Wilo Para */8 SC FS14 | 1 |
| 187960 | Wilo Para */6 SC FS14 | 1 |
| 095443 | Cable Wilo Para 200 mm + Connector | 2 |
| 095220 | Connector | 3 |
| 187110 | Repair kit 811 | 4 |
| 187066 | Sealing kit 811/840/841, DN 15-20 | 5 |
| 013025 | Gasket EPDM 1½" - Ø44 x Ø27 x 2 mm | 6 |
| 187021 | Check valve 810 / 811 | 7 |
| 187022 | Plug 810 / 811 | 8 |
| 187018 | Ball valve F 1¼" | 9 |
| 187019 | Ball valve 28 mm | 10 |
| 187017 | Ball valve F 1" | 11 |
| 187351 | EPP Insulation, 811 | 12 |
| 058126 | Thermometer 120 °C | 13 |


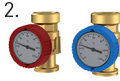



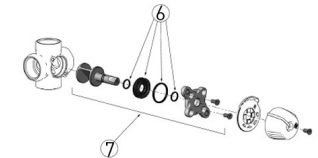
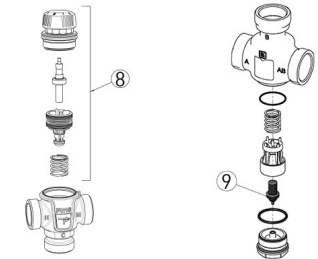

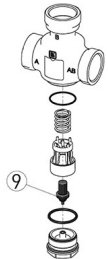


Pump Group

LK HydronicGroup C/C 90 & C/C 90 Cooling

| | Article no. | Article | Position |
|---|-------------|--------------------------------|----------|
|  | 187227 | Wilo PARA 15-130/8-75/SC-9 | 1 |
|  | 187228 | Taco ES2C 15-70-130 | 1 |
|  | 187229 | Bracket for manifold | 2 |
|  | 187230 | EPP Insulation | 3 |
|  | 187231 | Ballvalve, LK 316 F1" / F1" | 4 |
|  | 095018 | Thermometer T40, 0 - 80 °C | 5 |
|  | 182765 | LK 850 ThermoMix HG Kvs 6,3/10 | 6 |
|  | 187190 | Repair kit LK 840 DN 15-20 | 7 |
| | 092366 | LK 322 CoolUnit 1" | 8 |

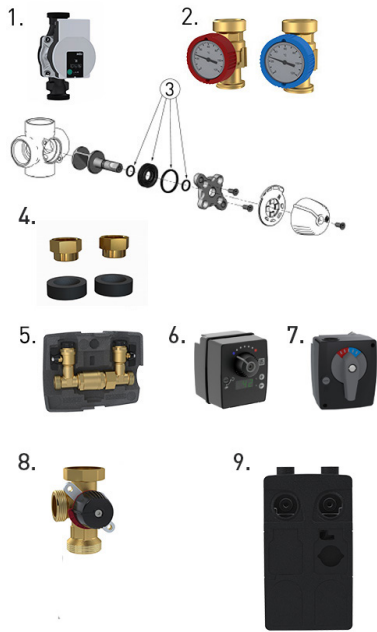
Pump Group

LK HydronicGroup C/C 125

| | Article no. | Article | Position |
|---|-------------|---|----------|
|  | 187203 | Wilo PARA 25-180/8-75/SC | 1 |
|  | 187322 | Wilo PARA 25-180/6-43/SC | 1 |
|  | 187227 | Wilo PARA 15-130/8-75/SC-9 | 1 |
|  | 187323 | Ballvalve, blue | 2 |
|  | 187324 | Ballvalve, red | 2 |
|  | 187325 | Bracket | 3 |
|  | 187326 | EPP Insulation | 4 |
|  | 182766 | LK 840 ThermoMix HG Kvs 6,3 | 5 |
|  | 182767 | LK 840 ThermoMix HG Kvs 10 | 5 |
|  | 181949 | LK 840 Mixing Valve (866), Kvs 6.3 | 5 |
|  | 180588 | LK 830 Mixing Valve (867), Kvs 6.3 | 5 |
| | 187188 | Sealing kit LK 840/841 DN 25 | 6 |
| | 187195 | Repair kit LK 841 2.0, DN 25 | 7 |
| | 187062 | Repair kit 830, DN 15-20, Kvs 6.3 | 7 |
| | 095349 | Repair kit 551, 25 - 45 °C, Kvs 3.2-4.2 | 8 |
| | 095350 | Repair kit 551, 35 - 65 °C, Kvs 3.2-4.2 | 8 |
| | 187330 | Repair Kit 823R | 9 |
| | 182431 | LK 551 (863), 25 - 45 °C | 10 |
| | 182389 | LK 823R (864), 55 - 70 °C | 11 |
| | 182447 | LK 823R (864), 45 - 60 °C | 11 |

Pump Group

LK HydronicGroup C/C 125 Cooling



| Article no. | Article | Position |
|-------------|------------------------------|----------|
| 187322 | Wilo PARA 25-180/6-43/SC | 1 |
| 187203 | Wilo PARA 25-180/8-75/SC | 1 |
| 187323 | Ballvalve, blue | 2 |
| 187324 | Ballvalve, red | 2 |
| 187188 | Sealing kit LK 840/841 DN 25 | 3 |
| 095515 | Connection kit | 4 |
| 092366 | LK 322 CoolUnit 1" | 5 |
| 181242 | LK 100 SmartComfort CT | 6 |
| 180765 | LK 950 Actuator | 7 |
| 182766 | LK 840 ThermoMix HG Kvs 6,3 | 8 |
| 182767 | LK 840 ThermoMix HG Kvs 10 | 8 |
| 187963 | EPP Insulation | 9 |

Tap Water Unit






LK 250 TapWater Unit



| Article no. | Article | Position |
|-------------|----------------------------|----------|
| 092360 | Hot water circulation kit | 1 |
| 182742 | Controller, LK TapWater | 2 |
| 095476 | EPP Insulation | 5 |
| 095481 | Flow sensor | 7 |
| 095472 | Wilo PARA IPWM1 15-130/8 | 3 |
| 187227 | Wilo PARA 15-130/8-75/SC-9 | 4 |
| 095480 | Flow sensor P | 6 |
| 182199 | LK 551 HydroMix | 8 |










Solar Pump Unit

LK 201 / 202 SmartSolar

| | Article no. | Article | Position |
|---|-------------|--|----------|
|  | 025042 | Differential temperature controller SmartSol Top | 1 |
|  | 181187 | Collector sensor PT 1000 Ø 5 mm - 3 m cable | 2 |
|  | 181186 | Tank sensor PT 1000 Ø 6 mm - 4 m cable | 3 |
|  | 180812 | Sensor pocket 150 mm | 4 |
|  | 187170 | Circulating pump Grundfos UPM3 Solar 25-75 130 | 5 |












Solar Pump Unit

LK 211 SolarStation S

| | Article no. | Article | Position |
|---|-------------|-------------------------------|----------|
|  | 182675 | LK 152 SmartSolar SLL | 1 |
|  | 182735 | LK 152 SmartSolar CS Plus | 2 |
|  | 187961 | Bracket | 3 |
|  | 095494 | Grundfos UPM3 Solar 25-75 130 | 4 |
|  | 095495 | Wilo Para ST 25-130/8 IPWM2 | 5 |
|  | 095474 | Ballvalve, blue | 6 |
|  | 095496 | EPP Insulation | 7 |
|  | 095478 | Safety group | 8 |
|  | 095479 | Filling valve | 9 |

Solar Pump Unit

LK 212 SolarStation

| | Article no. | Article | Position |
|---|-------------|-------------------------------|----------|
|  | 182675 | LK 152 SmartSolar SLL | 1 |
|  | 182735 | LK 152 SmartSolar CS Plus | 2 |
|  | 187325 | Bracket | 3 |
|  | 095470 | Grundfos UPM3 Solar 25-75 180 | 4 |
|  | 095471 | Wilo Para ST 25-180/8 IPWM2 | 5 |
|  | 095473 | Ballvalve, red | 6 |
|  | 095474 | Ballvalve, blue | 7 |
|  | 095475 | EPP Insulation | 8 |
|  | 095477 | Air vent | 9 |
|  | 095478 | Safety group | 10 |
|  | 095479 | Filling valve | 11 |

Solar Pump Unit

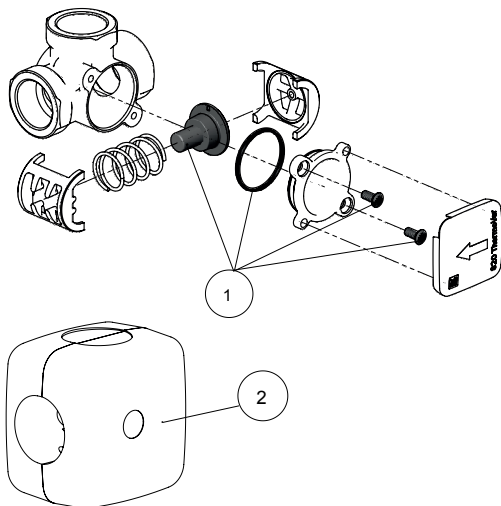
LK 212 SolarStation S



| Article no. | Article | Position |
|-------------|-------------------------------|----------|
| 182675 | LK 152 SmartSolar SLL | 1 |
| 182735 | LK 152 SmartSolar CS Plus | 2 |
| 187325 | Bracket | 3 |
| 095494 | Grundfos UPM3 Solar 25-75 130 | 4 |
| 095495 | Wilo Para ST 25-130/8 IPWM2 | 5 |
| 095473 | Ballvalve, red | 6 |
| 095474 | Ballvalve, blue | 7 |
| 095514 | EPP Insulation | 8 |
| 095477 | Air vent | 9 |
| 095478 | Safety group | 10 |
| 095479 | Filling valve | 11 |

Thermic Loading Valve

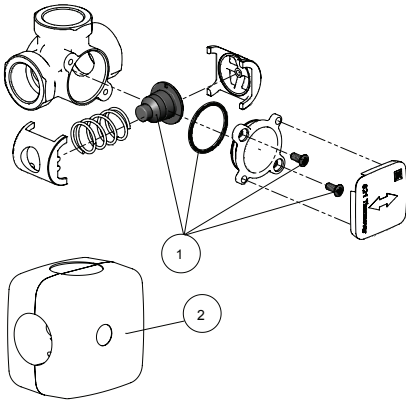
LK 820 ThermoVar®



| Article no. | Article | Position |
|-------------|---------------------------------|----------|
| 187025 | Thermostatic element 820, 45 °C | 1 |
| 187026 | Thermostatic element 820, 55 °C | 1 |
| 187027 | Thermostatic element 820, 61 °C | 1 |
| 187028 | Thermostatic element 820, 66 °C | 1 |
| 187029 | Thermostatic element 820, 72 °C | 1 |
| 187030 | Thermostatic element 820, 80 °C | 1 |
| 187107 | Insulation, DN 15-20 | 2 |
| 187108 | Insulation, DN 25-32 | 2 |

Thermic Zone Valve

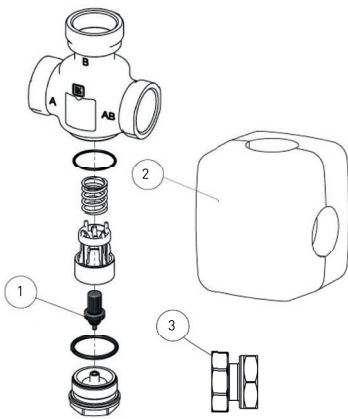
LK 821 ThermoVar®



| Article no. | Article | Position |
|-------------|---------------------------------|----------|
| 187031 | Thermostatic element 821, 45 °C | 1 |
| 187032 | Thermostatic element 821, 55 °C | 1 |
| 187033 | Thermostatic element 821, 61 °C | 1 |
| 187034 | Thermostatic element 821, 66 °C | 1 |
| 187035 | Thermostatic element 821, 72 °C | 1 |
| 187036 | Thermostatic element 821, 80 °C | 1 |
| 187107 | Insulation, DN 15-20 | 2 |
| 187108 | Insulation, DN 25-32 | 2 |

Thermic Loading Valve

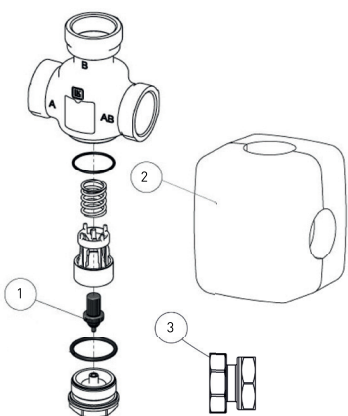
LK 823 ThermoVar®



| Article no. | Article | Position |
|-------------|---------------------------------|----------|
| 187102 | Thermostatic element 823, 45 °C | 1 |
| 187103 | Thermostatic element 823, 50 °C | 1 |
| 187104 | Thermostatic element 823, 55 °C | 1 |
| 187105 | Thermostatic element 823, 60°C | 1 |
| 187138 | Thermostatic element 823, 65 °C | 1 |
| 187139 | Thermostatic element 823, 70 °C | 1 |
| 187109 | Insulation, DN 25-32 | 2 |
| 095351 | LK 823 Pump connection 1¼" | 3 |
| 095352 | LK 823 Pump connection 1" | 3 |

Thermic Loading Valve

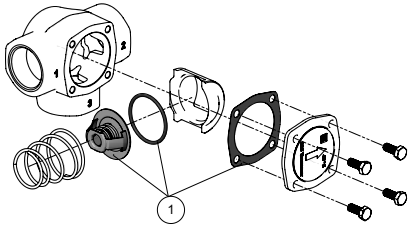
LK 823 ThermoVar® R



| Article no. | Article | Position |
|-------------|--|----------|
| 187330 | Repair Kit 823R | 1 |
| 187310 | LK Insulation, 551 (Kvs 3.2-4.2) / 552 | 2 |
| 095352 | LK 823 Pump connection 1" | 3 |
| 095351 | LK 823 Pump connection 1¼" | 3 |

Thermic Loading Valve

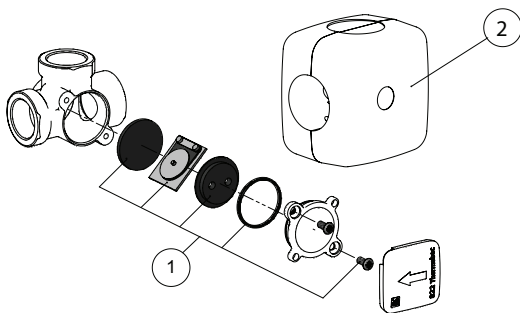
LK 825 ThermoVar®



| Article no. | Article | Position |
|-------------|--------------------------------|----------|
| 180602 | Thermostatic element 825, 45°C | 1 |
| 180603 | Thermostatic element 825, 55°C | 1 |
| 180604 | Thermostatic element 825, 61°C | 1 |
| 180605 | Thermostatic element 825, 72°C | 1 |
| 180606 | Thermostatic element 825, 80°C | 1 |

Check Valve

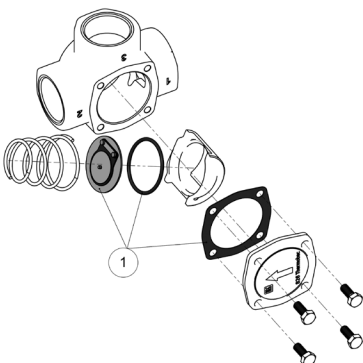
LK 822 ThermoBac



| Article no. | Article | Position |
|-------------|--------------------------|----------|
| 187072 | Repair kit 822, DN 15-32 | 1 |
| 187107 | Insulation, DN 15-20 | 2 |
| 187108 | Insulation, DN 25-32 | 2 |

Check Valve

LK 826 ThermoBac



| Article no. | Article | Position |
|-------------|--------------------------|----------|
| 187051 | Repair Kit 826, DN 40-50 | 1 |

Mixing / Diverting Valve

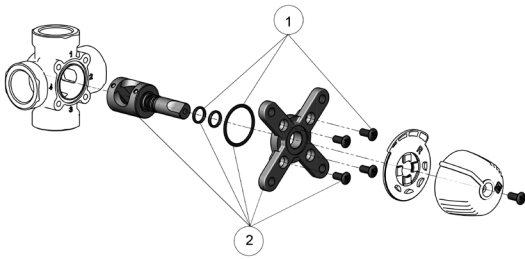
LK 525 MultiZone 3R & 3W



| Article no. | Article | Position |
|-------------|------------|----------|
| 187202 | Insulation | 1 |

Bivalent Mixing Valve

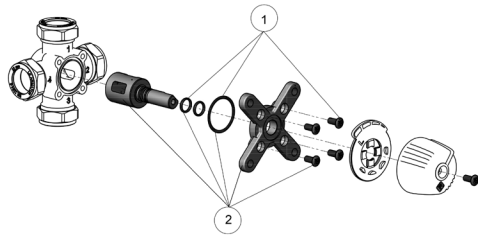
LK 830 ThermoMix® B



| Article no. | Article | Position |
|-------------|-----------------------------------|----------|
| 187059 | Sealing kit 830/831, DN 15-20 | 1 |
| 187060 | Sealing kit 830, DN 25 | 1 |
| 187187 | Sealing kit LK 840/841 DN 15-20 | 1 |
| 187061 | Repair kit 830, DN 15-20, Kvs 4.0 | 2 |
| 187062 | Repair kit 830, DN 15-20, Kvs 6.3 | 2 |
| 187064 | Repair kit 830, DN 25, Kvs 10.0 | 2 |
| 187958 | 830 Repair kit 830 DN 20, Kvs 6,3 | 2 |

Bivalent Mixing Valve

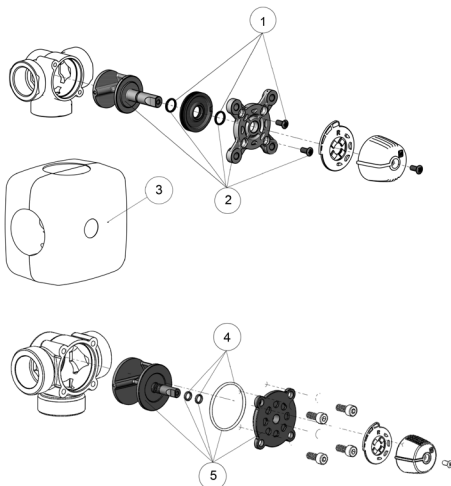
LK 831 ThermoMix® B



| Article no. | Article | Position |
|-------------|--------------------------------|----------|
| 187059 | Sealing kit 830/831, DN 15-20 | 1 |
| 187065 | Repair kit 831, DN 20, Kvs 4.0 | 2 |

Mixing Valve

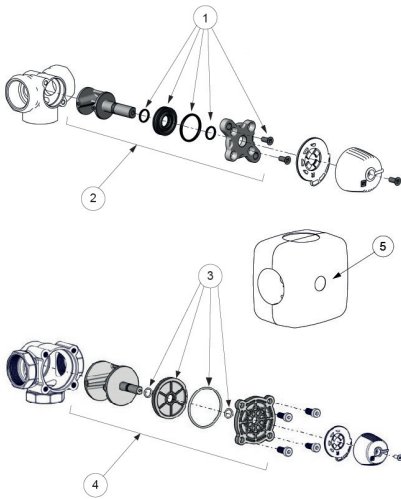
LK 840 ThermoMix®



| Article no. | Article | Position |
|-------------|-----------------------------------|----------|
| 187066 | Sealing kit 811/840/841, DN 15-20 | 1 |
| 187067 | Sealing kit 840/841/842, DN 25-32 | 1 |
| 187068 | Repair kit 840, DN 15-20 | 2 |
| 187070 | Repair kit 840, DN 25-32 | 2 |
| 187107 | Insulation, DN 15-20 | 3 |
| 187108 | Insulation, DN 25-32 | 3 |
| 187078 | Sealing kit 840/841, DN 40-50 | 4 |
| 187079 | Repair kit 840, DN 40 | 5 |
| 187116 | Repair kit 840, DN 50 | 5 |

Mixing Valve

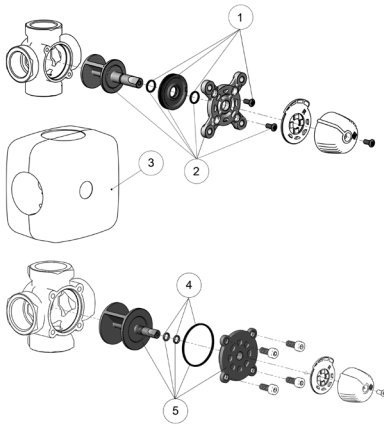
LK 840 ThermoMix® 2.0



| Article no. | Article | Position |
|-------------|-----------------------------------|----------|
| 187187 | Sealing kit LK 840/841 DN 15-20 | 1 |
| 187197 | Sealing kit 840/841 2.0, DN 32 | 1 |
| 187188 | Sealing kit LK 840/841 DN 25 | 1 |
| 187191 | Repair kit 840 DN 25 | 2 |
| 187190 | Repair kit LK 840 DN 15-20 | 2 |
| 187192 | Repair kit LK 840 DN 32 | 2 |
| 187189 | Sealing kit 840/841 2.0, DN 40-50 | 3 |
| 187193 | Repair kit LK 840 DN 40-50 | 4 |
| 187107 | Insulation, DN 15-20 | 5 |
| 187108 | Insulation, DN 25-32 | 5 |

Mixing Valve

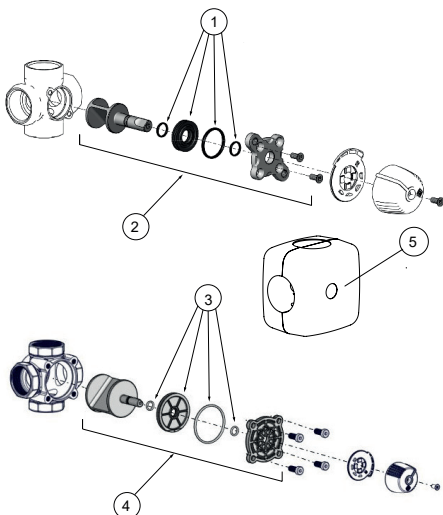
LK 841 ThermoMix®



| Article no. | Article | Position |
|-------------|-----------------------------------|----------|
| 187066 | Sealing kit 811/840/841, DN 15-20 | 1 |
| 187067 | Sealing kit 840/841/842, DN 25-32 | 1 |
| 187069 | Repair kit 841, DN 15-20 | 2 |
| 187071 | Repair kit 841/842, DN 25-32 | 2 |
| 187107 | Insulation, DN 15-20 | 3 |
| 187108 | Insulation, DN 25-32 | 3 |
| 187078 | Sealing kit 840/841, DN 40-50 | 4 |
| 187080 | Repair kit 841, DN 40-50 | 5 |

Mixing Valve

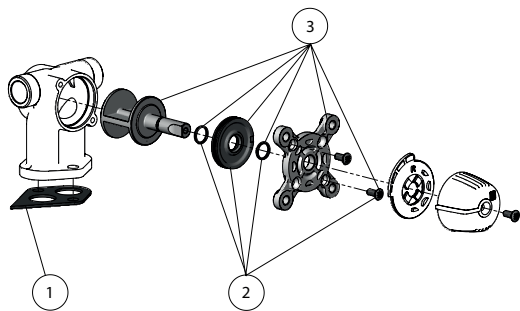
LK 841 ThermoMix® 2.0



| Article no. | Article | Position |
|-------------|-----------------------------------|----------|
| 187187 | Sealing kit LK 840/841 DN 15-20 | 1 |
| 187188 | Sealing kit LK 840/841 DN 25 | 1 |
| 187197 | Sealing kit 840/841 2.0, DN 32 | 1 |
| 187194 | Repair kit 841 2.0, DN 15-20 | 2 |
| 187195 | Repair kit 841 2.0, DN 25 | 2 |
| 187198 | Repair kit 841 2.0, DN 32 | 2 |
| 187189 | Sealing kit 840/841 2.0, DN 40-50 | 3 |
| 187196 | Repair kit 841 2.0, DN 40-50 | 4 |
| 187107 | Insulation, DN 15-20 | 5 |
| 187108 | Insulation, DN 25-32 | 5 |

Mixing Valve

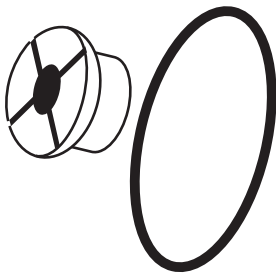
LK 842 ThermoMix® P



| Article no. | Article | Position |
|-------------|-----------------------------------|----------|
| 013083 | Gasket 842 | 1 |
| 187067 | Sealing kit 840/841/842, DN 25-32 | 2 |
| 187071 | Repair kit 841/842, DN 25-32 | 3 |

Mixing Valve

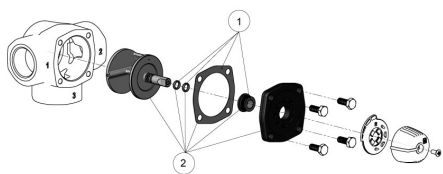
LK 843 ThermoMix®



| Article no. | Article | Position |
|-------------|-----------------------------|----------|
| 187333 | Sealing kit 843, DN 20-25 | 1 |
| 187334 | Sealing kit 843, DN 32-40 | 1 |
| 187335 | Sealing kit 843, DN 50-65 | 1 |
| 187336 | Sealing kit 843, DN 80 | 1 |
| 187337 | Sealing kit 843, DN 100-125 | 1 |
| 187338 | Sealing kit 843, DN 150 | 1 |

Mixing Valve

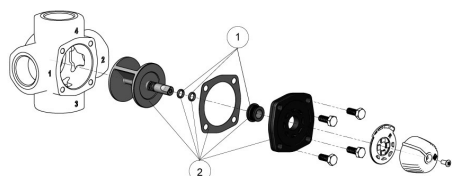
LK 845 ThermoMix®



| Article no. | Article | Position |
|-------------|-------------------------------|----------|
| 187074 | Sealing kit 845/846, DN 20-50 | 1 |
| 187075 | Repair kit 845, DN 20-50 | 2 |

Mixing Valve

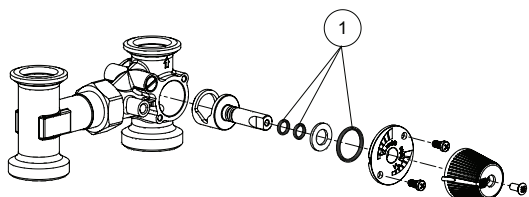
LK 846 ThermoMix®



| Article no. | Article | Position |
|-------------|-------------------------------|----------|
| 187074 | Sealing kit 845/846, DN 20-50 | 1 |
| 187076 | Repair kit 846, DN 20-50 | 2 |

Mixing Valve

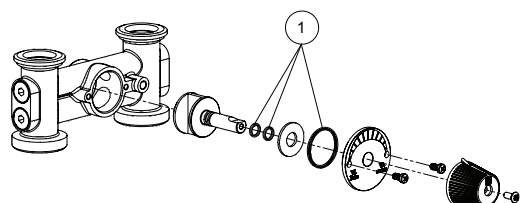
LK 850 ThermoMix® H



| Article no. | Article | Position |
|-------------|--------------------|----------|
| 187082 | Sealing kit LK 850 | 1 |

Mixing Valve

LK 851 ThermoMix® H



| Article no. | Article | Position |
|-------------|--------------------|----------|
| 187083 | Sealing kit LK 851 | 1 |

Temperature Controller




LK SmartComfort



| Article no. | Article | Position |
|-------------|---|----------|
| 187098 | Temperature controller SmartComfort CT | 1 |
| 187099 | Temperature controller SmartComfort | 1 |
| 025010 | Adapter 24 VDC - EU | 2 |
| 025011 | Adapter 24 VDC - UK | 2 |
| 025012 | Adapter 24 VDC - US | 2 |
| 181260 | Mounting kit LK | 3 |
| 025013 | Supply temperature sensor, 1 m cable | 4 |
| 025014 | Outdoor temperature sensor, 15 m cable | 5 |
| 025020 | Protective casing for outdoor temperature sensor | 6 |
| 187096 | Room temperature unit SmartComfort RT | 7 |
| 025025 | Cable for SmartComfort RT, 15 m | 8 |
| 025026 | Extension cable for SmartComfort RT, 15 m | 9 |
| 187113 | Room temperature unit SmartComfort RTW with wireless receiver | 10 |
| 187095 | Pump control SmartComfort PC | 11 |
| 025027 | Extension cable for outdoor temperature sensor, 15 m | 12 |
| 025008 | Extension cable for adapter, 1 m | 13 |

Valve Actuator

LK 950 Valve Actuator

| | | Article no. | Article | Position |
|----|---|--------------------|-----------------------------------|-----------------|
| 1. |  | 180739 | Mounting kit 950 | 1 |
| 2. |  | 180741 | Auxiliary switch 950 | 2 |
| 3. |  | 026223 | Cable for auxiliary switch, 1.5 m | 3 |

Mounting Kits





Mounting Kits



| Article no. | Type | Valve brand |
|--------------------|-----------------------------------|--------------------------|
| 187086 | 440, 450, 451, 460, 475, 476, W28 | Barberi |
| 187084 | DR-GMLA, DR-GFLA (DN 15-35) | Centra |
| 187087 | DR-MA (DN 15-50) | Centra |
| 180746 | | Danfoss |
| 180403 | VRG, VRB (DN 15-50) | ESBE |
| 187088 | BR80 SMD/SMV | Holter |
| 187094 | SERIES 2, VCI 31 (DN 20-40) | Landis & Staefa |
| 187089 | SERIES 1, B3F (DN 20-40) | Landis & Staefa |
| 187090 | | Lazzari |
| 187091 | 3W, 4W | Lovato |
| 187092 | MB | Satchwell |
| 187093 | MBF | Satchwell |
| 180747 | | Siemens |
| 180740 | 3W, 4W, H | Wita / Oventrop / Meibes |

Differential Temperature Controller

LK 150 SmartSol

| | | Article no. | Article | Position |
|---|---|--------------------|--|-----------------|
| 1 |  | 025042 | Differential temperature controller SmartSol Top | 1 |
| 2 |  | 181187 | Collector sensor PT 1000 Ø 5 mm - 3 m cable | 2 |
| 3 |  | 181186 | Tank sensor PT 1000 Ø 6 mm - 4 m cable | 3 |
| 4 |  | 180812 | Sensor pocket 150 mm | 4 |

Differential Temperature Controller

LK 160 SmartBio®



| Article no. | Article | Position |
|-------------|---|----------|
| 025017 | Differential temperature controller SmartBio® | 1 |
| 181186 | Tank sensor PT 1000 Ø 6 mm - 4 m cable | 2 |
| 187129 | Circulating pump Grundfos Alpha1 25-60/130 | 3 |
| 187017 | Ball valve F 1" | 4 |
| 187018 | Ball valve F 1¼" | 5 |
| 187019 | Ball valve 28 mm | 6 |
| 180487 | Check valve with double acting flow LK 970 ThermoBac DB | 7 |
| 180812 | Sensor pocket 150 mm | 8 |
| 013025 | Gasket EPDM 1½" - Ø44 x Ø27 x 2 mm | 9 |
| 181553 | LK 824 ThermoVar® M 1½", 45 °C | 10 |
| 181554 | LK 824 ThermoVar® M 1½", 55 °C | 10 |
| 181555 | LK 824 ThermoVar® M 1½", 61 °C | 10 |
| 181556 | LK 824 ThermoVar® M 1½", 66 °C | 10 |
| 181557 | LK 824 ThermoVar® M 1½", 72 °C | 10 |
| 180810 | Connection M 1½" x M 1½", L30 mm | 11 |

Differential Temperature Controller

LK 162 SmartStove®



| Article no. | Article | Position |
|-------------|--|----------|
| 181186 | Tank sensor PT 1000 Ø 6 mm - 4 m cable | 1 |
| 180812 | Sensor pocket 150 mm | 2 |

Zone Valve

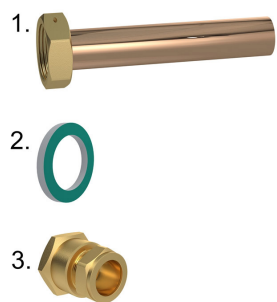
LK 525 MultiZone 3R & 3W



| Article no. | Article | Position |
|-------------|------------|----------|
| 187202 | Insulation | 1 |

Filling Valve

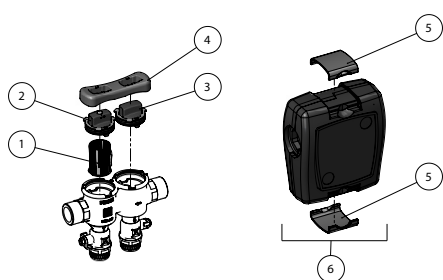
LK 321 MultiFill® Solar



| Article no. | Article | Position |
|-------------|--------------------------------------|----------|
| 299189 | Flanged pipe - 22 mm, F 1", L=120 mm | 1 |
| 013035 | Gasket C4400 1" | 2 |
| 095410 | Compression fitting 22 mm x M 25 | 3 |
| 095411 | Compression fitting 18 mm x M 25 | 3 |

Filling Valve

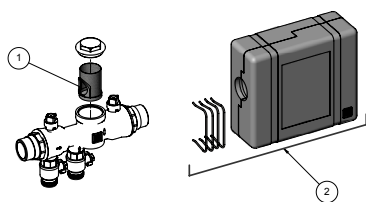
LK 520 MultiFill® 25



| Article no. | Article | Position |
|-------------|---|----------|
| 095168 | Filter | 1 |
| 095172 | Knob with air vent | 2 |
| 095169 | Knob | 3 |
| 095173 | Handle | 4 |
| 095171 | Clips for insulation | 5 |
| 095170 | Insulation with clips (LxWxH - 148x168x76 mm) | 6 |

Filling Valve

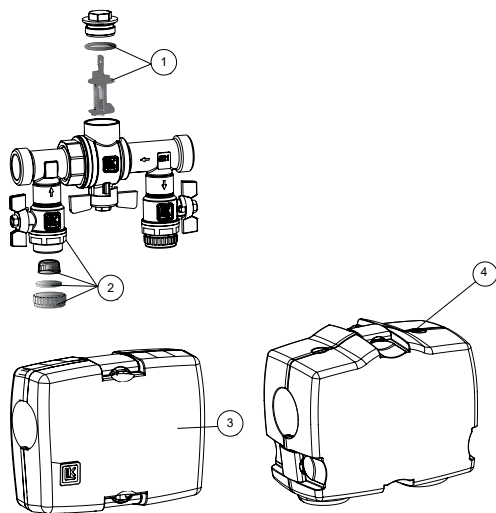
LK 520 MultiFill® 32



| Article no. | Article | Position |
|-------------|---|----------|
| 095014 | Filter and filter holder | 1 |
| 095013 | Insulation with clips (LxWxH - 231x200x90 mm) | 2 |

Filling Valve

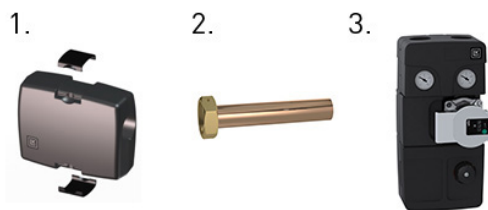
LK 521 MultiFill®



| Article no. | Article | Position |
|-------------|-----------------------------|----------|
| 095070 | Filter and sealing DN 25 | 1 |
| 095071 | Filter and sealing DN 32 | 1 |
| 095072 | LK Insulation, 521 DN 25-32 | 3 |
| 095073 | Ball valve incl. filter | 2 |
| 187309 | LK Insulation, 521 DN 50 | 4 |

Combination Valve

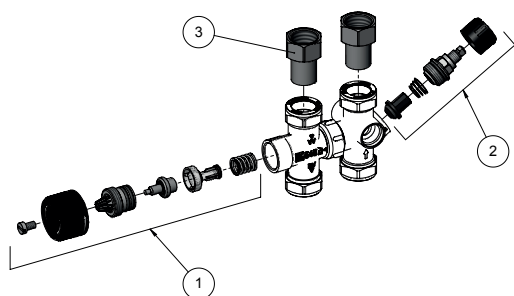
LK 322 CoolUnit



| Article no. | Article | Position |
|-------------|---------------------------------------|----------|
| 095072 | LK Insulation, 521 DN 25-32 | 1 |
| 299189 | Flanged pipe - 22 mm, F 1", L=120 mm | 2 |
| 299190 | Flanged pipe - 28 mm, F 1¼", L=120 mm | 2 |
| 299387 | LK HydronicGroup C/C 90 Cooling | 3 |
| 396425 | LK HydronicGroup C/C 125 Cooling | 4 |

Combination Valve

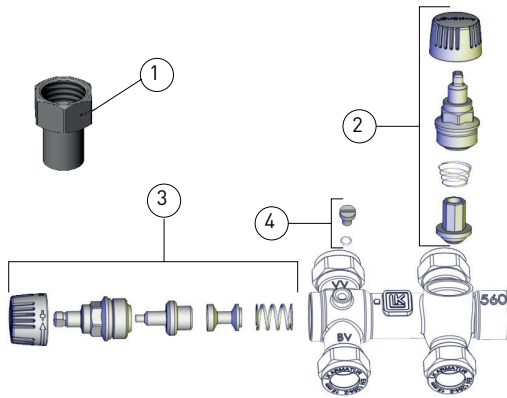
LK 548 AquaKit



| Article no. | Article | Position |
|-------------|---|----------|
| 4920723 | LK 683 Repair kit, Mixing valve | 1 |
| 4311733 | LK 684 Repair kit, Shut-off/Check valve | 2 |
| 1898055 | Adapter LK 373 22 x M ¾" | 3 |

Combination Valve

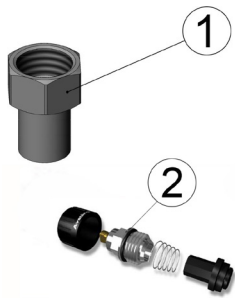
LK 560 AquaKit



| Article no. | Article | Position |
|-------------|---|----------|
| 1898022 | Adapter LK 373 15 x M 1/2" | 1 |
| 4311733 | LK 684 Repair kit, Shut-off/Check valve | 2 |
| 4920722 | LK 688 Repair kit, Mixing valve | 3 |
| 187306 | Air Vent M5x6, o-ring, | 4 |

Combination Valve

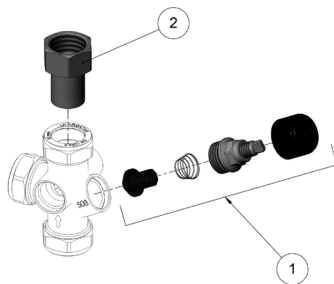
LK 505 HydroFill



| Article no. | Article | Position |
|-------------|---|----------|
| 1898055 | Adapter LK 373 22 x M 3/4" | 1 |
| 052002 | LK 373 Adapter 15 x M 1/2" | 1 |
| 4311733 | LK 684 Repair kit, Shut-off/Check valve | 1 |

Combination Valve

LK 508 HydroFill



| Article no. | Article | Position |
|-------------|---|----------|
| 4311733 | LK 684 Repair kit, Shut-off/Check valve | 1 |
| 1898055 | Adapter LK 373 22 x M 3/4" | 2 |
| 052002 | LK 373 Adapter 15 x M 1/2" | 2 |

Combination Valve

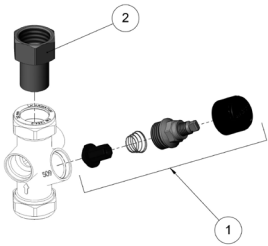
LK 508-DK HydroFill



| Article no. | Article | Position |
|-------------|---|----------|
| 4311733 | LK 684 Repair kit, Shut-off/Check valve | 1 |

Combination Valve

LK 509 HydroFill



| Article no. | Article | Position |
|-------------|---|----------|
| 4311733 | LK 684 Repair kit, Shut-off/Check valve | 1 |
| 1898055 | Adapter LK 373 22 x M 3/4" | 2 |
| 052002 | LK 373 Adapter 15 x M 1/2" | 2 |

Combination Valve

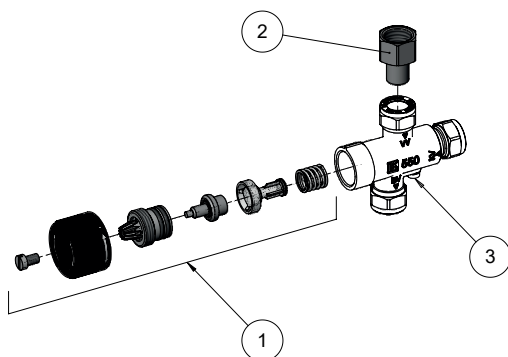
LK 545-22 AquaMix



| Article no. | Article | Position |
|-------------|---------------------------------|----------|
| 1898055 | Adapter LK 373 22 x M 3/4" | 1 |
| 4920723 | LK 683 Repair kit, Mixing valve | 2 |

Thermic Mixing Valve

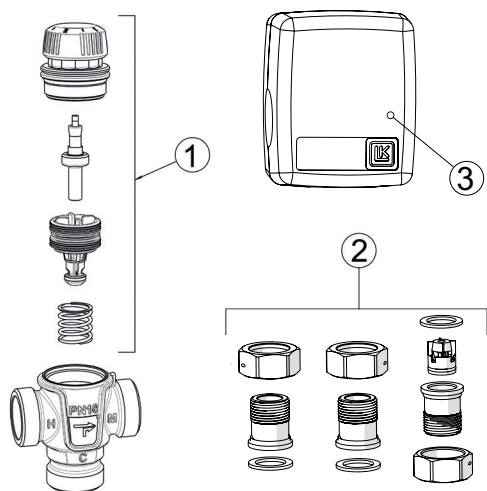
LK 550 AquaMix



| Article no. | Article | Position |
|-------------|---------------------------------|----------|
| 4920723 | LK 683 Repair kit, Mixing valve | 1 |
| 055008 | Check valve NN 1/2" | 0 |
| 092103 | 528 Cartridge Check valve 22 mm | 0 |
| 055009 | Check valve NN 3/4" | 0 |
| 092105 | 528 Cartridge Check valve 15 mm | 0 |
| 1898055 | Adapter LK 373 22 x M 3/4" | 2 |
| 052002 | LK 373 Adapter 15 x M 1/2" | 2 |
| 187224 | Airscrew | 3 |

Thermic Mixing Valve

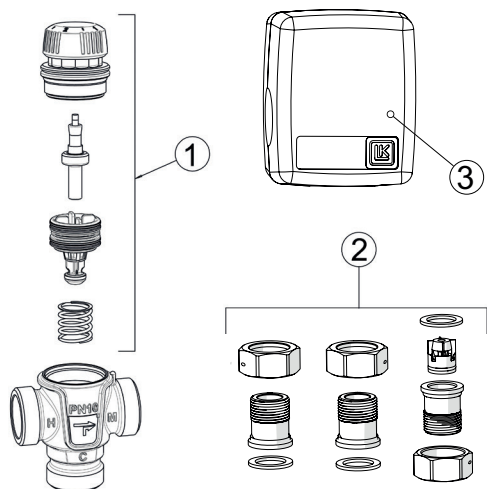
LK 551 HydroMix



| Article no. | Article | Position |
|-------------|---|----------|
| 095234 | Repair kit 551, 35 - 65 °C (Kvs 1.6) | 1 |
| 095235 | Repair kit 551, 25 - 45 °C | 1 |
| 095236 | Repair kit 551, 35 - 55°C | 1 |
| 095348 | Repair kit 551, 10 - 30 °C (Kvs 3.2-4.2) | 1 |
| 095349 | Repair kit 551, 25 - 45 °C, Kvs 3.2-4.2 | 1 |
| 095350 | Repair kit 551, 35 - 65 °C, Kvs 3.2-4.2 | 1 |
| 092055 | Connection kit M 1/2" x 3/4" with rotating nut, gaskets, 2 check valves | 2 |
| 092054 | Connection kit M 1/2" x 3/4" with rotating nut, gaskets, 1 check valve | 2 |
| 092052 | Connection kit M 3/4" x 1" with rotating nut, gaskets, 1 check valve | 2 |
| 092053 | Connection kit M 3/4" x 1" with rotating nut, gaskets, 2 check valves | 2 |
| 092333 | Connection kit M 1" x 1 1/4" with rotating nut, gaskets, 1 check valve | 2 |
| 092334 | Connection kit M 1" x 1 1/4" with rotating nut, gaskets, 2 check valves | 2 |
| 187310 | LK Insulation, 551 (Kvs 3.2-4.2) / 552 | 3 |
| 187304 | LK Insulation, 551 (Kvs 1.3-1.6) | 3 |

Diverting Valve

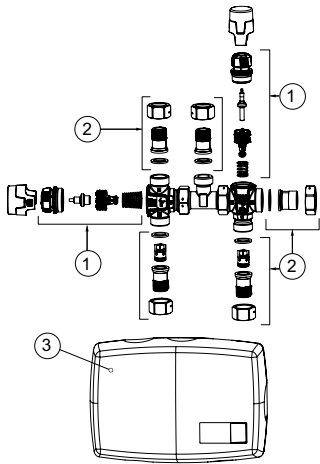
LK 551 HydroMix F



| Article no. | Article | Position |
|-------------|---|----------|
| 095075 | Repair kit 551 F, 42 - 52 °C. Kvs 1.6 | 1 |
| 095444 | Repair kit 551 F, 42 - 52 °C. Kvs 3,5 | 1 |
| 092052 | Connection kit M 3/4" x 1" with rotating nut, gaskets, 1 check valve | 2 |
| 092053 | Connection kit M 3/4" x 1" with rotating nut, gaskets, 2 check valves | 2 |
| 187304 | LK Insulation, 551 (Kvs 1.3-1.6) | 3 |
| 187310 | LK Insulation, 551 (Kvs 3.2-4.2) / 552 | 3 |

Valve Combination

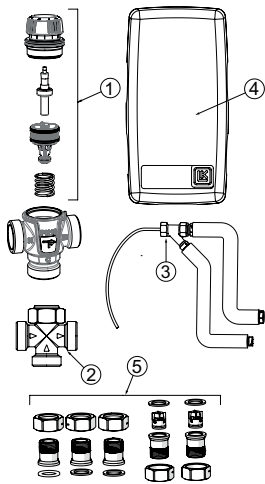
LK 551 HydroKit Solar



| Article no. | Article | Position |
|-------------|---|----------|
| 095234 | Repair kit 551, 35 - 65 °C (Kvs 1.6) | 1 |
| 095075 | Repair kit 551 F, 42 - 52 °C. Kvs 1.6 | 1 |
| 095350 | Repair kit 551, 35 - 65 °C, Kvs 3.2-4.2 | 1 |
| 095444 | Repair kit 551 F, 42 - 52 °C. Kvs 3,5 | 1 |
| 095389 | Connection kit M ¾" x 1" with rotating nut, gaskets, 2 check valves | 2 |
| 095390 | LK Insulation (Kvs 1.6 - 2.5) | 3 |
| 095459 | LK Insulation (Kvs 3.5) | 3 |

Compact Unit for Hot Water Circulation

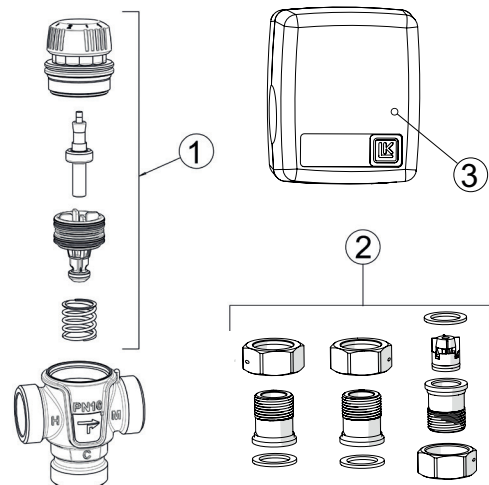
LK 551 HydroKit HWC



| Article no. | Article | Position |
|-------------|---|----------|
| 095234 | Repair kit 551, 35 - 65 °C (Kvs 1.6) | 1 |
| 095350 | Repair kit 551, 35 - 65 °C, Kvs 3.2-4.2 | 1 |
| 092325 | Fitting | 2 |
| 092329 | LK CirculationKit HWC, Kvs 1.6 | 3 |
| 092357 | LK CirculationKit HWC, Kvs 3,5 | 3 |
| 187305 | LK Insulation HWC (Kvs 1.6) | 4 |
| 095460 | LK Insulation HWC (Kvs 3.5) | 4 |
| 095388 | Connection kit M ¾" x 1" with rotating nut, gaskets, 2 check valves | 5 |

Thermic Mixing Valve

LK 552 HydroMix



| Article no. | Article | Position |
|-------------|--|----------|
| 095360 | Repair kit 552, 25 - 45 °C | 1 |
| 095361 | Repair kit 552, 35 - 65 °C | 1 |
| 095362 | Repair kit 552, 25 - 45 °C (Kvs 3.5) | 1 |
| 095363 | Repair kit 552, 35 - 65 °C (Kvs 3.5) | 1 |
| 092052 | Connection kit M ¾" x 1" with rotating nut, gaskets, 1 check valve | 2 |
| 092053 | Connection kit M ¾" x 1" with rotating nut, gaskets, 2 check valves | 2 |
| 092333 | Connection kit M 1" x 1¼" with rotating nut, gaskets, 1 check valve | 2 |
| 092334 | Connection kit M 1" x 1¼" with rotating nut, gaskets, 2 check valves | 2 |
| 187310 | LK Insulation, 551 (Kvs 3.2-4.2) / 552 | 3 |

LK 680 - Mixing valve: 550-15 and 22 mm, old model. Mixing valve part: 540



| Article no. | Article |
|-------------|---------------------------------|
| 4920721 | LK 680 Repair kit, Mixing valve |

| Position |
|----------|
| 1 |

LK 683 - Mixing valve: 545, 550-15 and 22 mm. Mixing valve part: 541, 548



| Article no. | Article |
|-------------|---------------------------------|
| 4920723 | LK 683 Repair kit, Mixing valve |

| Position |
|----------|
| 1 |

LK 684 - Shut-off part/Manifold: 508, 509, 548 and 560-15 and 22 mm



| Article no. | Article |
|-------------|---|
| 4311733 | LK 684 Repair kit, Shut-off/Check valve |

| Position |
|----------|
| 1 |

LK 685 - Filling valve: 535 and 536



| Article no. | Article |
|-------------|----------------------------------|
| 4311739 | LK 685 Repair kit, Filling valve |

| Position |
|----------|
| 1 |

LK 686 - Draining part: 518



| Article no. | Article |
|-------------|-----------------------------------|
| 4311740 | LK 686 Repair kit, Draining valve |

| Position |
|----------|
| 1 |

LK 688 - Mixing valve: 560-15





| Article no. | Article |
|-------------|---------------------------------|
| 4920722 | LK 688 Repair kit, Mixing valve |

| Position |
|----------|
| 1 |



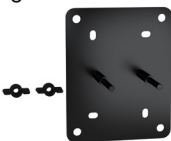
Manifold Shunt

LK 420 MiniShunt 2.0

| | | Article no. | Article | Position |
|---|---|-------------|----------------------------|----------|
| 1 |  | 095391 | Thermostat with sensor | 2 |
| 2 |  | 095442 | Circulating pump Wilo PARA | 1 |



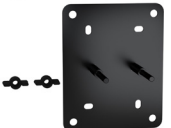
Manifold Shunt

LK 421 Manifold Shunt

| | | Article no. | Article | Position |
|---|--|-------------|---|----------|
| 1 |  | 095018 | Thermometer T40, 0 - 80 °C | 2 |
| 2 |  | 187172 | Circulating pump Grundfos UPM3 Auto 15/70 | 1 |
| 3 |  | 095221 | Bracket | 3 |

Manifold Shunt

LK 422 Manifold Shunt Tmax

| | | Article no. | Article | Position |
|---|---|-------------|---|----------|
| 1 |  | 187172 | Circulating pump Grundfos UPM3 Auto 15/70 | 1 |
| 2 |  | 095018 | Thermometer T40, 0 - 80 °C | 2 |
| 3 |  | 095221 | Bracket | 3 |

Manifold Shunt

LK 423 MiniLoop RTC



| Article no. | Article | Position |
|-------------|-----------------------------|----------|
| 095391 | Thermostat with sensor | 1 |
| 2988856 | LK Installation cabinet RTB | 2 |
| 1882348 | LK Frame/hatch | 3 |

Manifold

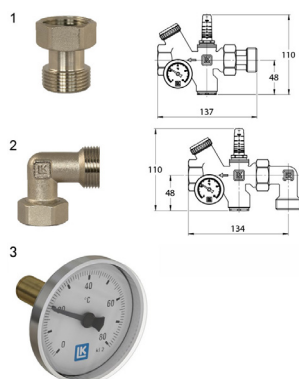
LK 430 Manifold



| Article no. | Article | Position |
|-------------|-----------------------------|----------|
| 095018 | Thermometer T40, 0 - 80 °C | 1 |
| 090275 | LK 435 OptiFlow, 2-16 l/min | 2 |
| 090276 | LK 435 OptiFlow, 4-36 l/min | 2 |
| 095182 | Drainage valve | 3 |
| 095178 | Return valve | 4 |
| 095346 | Adjustment valve, supply | 5 |
| 2418120 | LK Actuator (NL) | 6 |
| 2418121 | LK Actuator 230V AC (NC) | 6 |
| 2418122 | LK Actuator 0-10 V | 6 |

Group Valve for flow adjustment

LK 435 OptiFlow



| Article no. | Article | Position |
|-------------|---|----------|
| 095222 | Threaded union part straight M 1" with rotating nut | 1 |
| 095223 | Threaded union part angle M 1" with rotating nut | 2 |
| 095018 | Thermometer T40, 0 - 80 °C | 3 |

Portable Electrically Heated Boilers

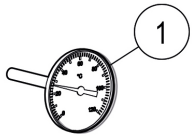
LK 450 EasyHeat P / M



| Article no. | Article | Position |
|-------------|--|----------|
| 187354 | Wilo Para 15/6 - Composite | 1 |
| 187352 | Transport trolley | 2 |
| 187353 | 2 pcs. flexible hoses 1" F x 1" M, 1,5 m | 3 |
| 092320 | LK 321 MultiFill® | 4 |
| 182437 | LK 522 FilterBall Magnet | 5 |

Ball Valve

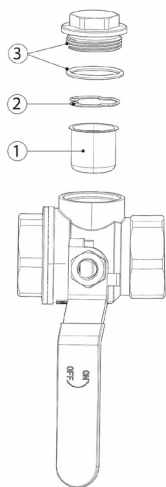
LK 315 BallValve



| Article no. | Article | Position |
|-------------|--------------------|----------|
| 180352 | Thermometer 120 °C | 1 |

Filter Ball Valve

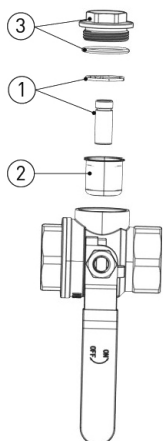
LK 522 FilterBall



| Article no. | Article | Position |
|-------------|-------------------------------------|----------|
| 095414 | Filter 3/4", Mesh opening: 0.7 mm | 1 |
| 095415 | Filter 1", Mesh opening: 0.7 mm | 1 |
| 095416 | Filter 1 1/4", Mesh opening: 0.7 mm | 1 |
| 095417 | Filter 1 1/2", Mesh opening: 0.7 mm | 1 |
| 095418 | Filter 2", Mesh opening: 0.7 mm | 1 |
| 095419 | Filter 3/4", Mesh opening: 0.5 mm | 1 |
| 095420 | Filter 1", Mesh opening: 0.5 mm | 1 |
| 095421 | Filter 1 1/4", Mesh opening: 0.5 mm | 1 |
| 095422 | Filter 1 1/2", Mesh opening: 0.5 mm | 1 |
| 095423 | Filter 2", Mesh opening: 0.5 mm | 1 |
| 095425 | Locking ring / Clip 3/4" | 2 |
| 095426 | Locking ring / Clip 1" | 2 |
| 095428 | Locking ring / Clip 1 1/2" | 2 |
| 095427 | Locking ring / Clip 1 1/4" | 2 |
| 095429 | Locking ring / Clip 2" | 2 |
| 095437 | Cover & O-ring 3/4" | 3 |
| 095438 | Cover & O-ring 1" | 3 |
| 095439 | Cover & O-ring 1 1/4" | 3 |
| 095440 | Cover & O-ring 1 1/2" | 3 |
| 095441 | Cover & O-ring 2" | 3 |

Filter Ball Valve with Magnet

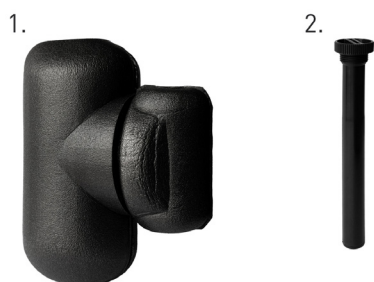
LK 522 FilterBall Magnet



| Article no. | Article | Position |
|-------------|-------------------------------------|----------|
| 095355 | 522 3/4" Magnet, Spring | 1 |
| 095356 | 522 1" Magnet, Spring | 1 |
| 095357 | 522 1 1/4" Magnet, Spring | 1 |
| 095358 | 522 1 1/2" Magnet, Spring | 1 |
| 095359 | 522 2" Magnet, Spring | 1 |
| 095414 | Filter 3/4", Mesh opening: 0.7 mm | 2 |
| 095415 | Filter 1", Mesh opening: 0.7 mm | 2 |
| 095417 | Filter 1 1/2", Mesh opening: 0.7 mm | 2 |
| 095416 | Filter 1 1/4", Mesh opening: 0.7 mm | 2 |
| 095418 | Filter 2", Mesh opening: 0.7 mm | 2 |
| 095419 | Filter 3/4", Mesh opening: 0.5 mm | 2 |
| 095421 | Filter 1 1/4", Mesh opening: 0.5 mm | 2 |
| 095420 | Filter 1", Mesh opening: 0.5 mm | 2 |
| 095422 | Filter 1 1/2", Mesh opening: 0.5 mm | 2 |
| 095423 | Filter 2", Mesh opening: 0.5 mm | 2 |
| 095437 | Cover & O-ring 3/4" | 3 |
| 095438 | Cover & O-ring 1" | 3 |
| 095439 | Cover & O-ring 1 1/4" | 3 |
| 095440 | Cover & O-ring 1 1/2" | 3 |
| 095441 | Cover & O-ring 2" | 3 |

Cyclone Filter

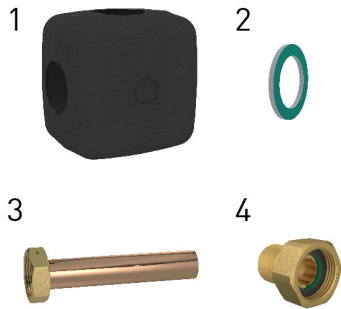
LK 360 NetMag



| Article no. | Article | Position |
|-------------|------------|----------|
| 095501 | Insulation | 1 |
| 095500 | Magnet | 2 |

Safety Valve

LK 556 AntiFreeze



| Article no. | Article | Position |
|-------------|---------------------------------------|----------|
| 187109 | Insulation, DN 25-32 | 1 |
| 013010 | Gasket Klingersil C4430 M32 | 2 |
| 013016 | Gasket Klingersil C4430 M25 | 2 |
| 299189 | Flanged pipe - 22 mm, F 1", L=120 mm | 3 |
| 299190 | Flanged pipe - 28 mm, F 1¼", L=120 mm | 3 |
| 095380 | Connection kit M ¾" x F 1" | 4 |
| 095381 | Connection kit F 1" x M 1¼" | 4 |

Air Vent Valve

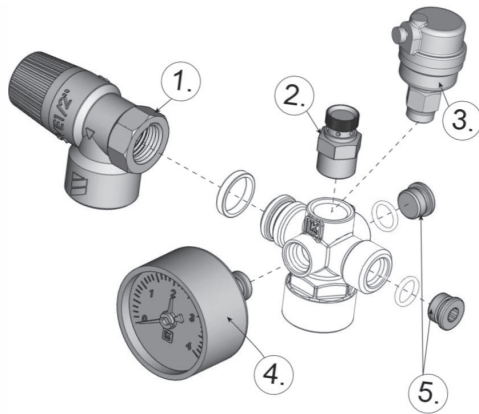
LK 770 AeroSafe



| Article no. | Article | Position |
|-------------|---------------------------|----------|
| 187965 | 770 Float spare parts kit | 1 |
| 187967 | 770 Clips | 2 |
| 187966 | 770 O-rings | 3 |

Safety Group

LK 924 / 925 SafetyGroup



| Article no. | Article | Position |
|-------------|-----------------------------|----------|
| 095491 | Safety relief valve 0.3 MPa | 1 |
| 095492 | 750 G10 Ventilating valve | 2 |
| 095497 | 740-G10 Floating air vent | 3 |
| 095279 | Manometer 50-4 bar M 1/4" | 4 |
| 095493 | Plug 1/4" | 5 |

Safety Group

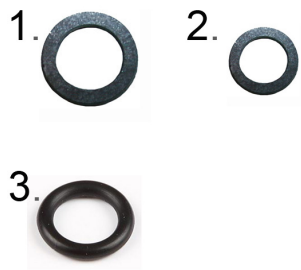
LK 994 SafetyGroup



| Article no. | Article | Position |
|-------------|-----------------------------|----------|
| 095279 | Manometer 50-4 bar M 1/4" | 1 |
| 095491 | Safety relief valve 0.3 MPa | 2 |
| 095497 | 740-G10 Floating air vent | 3 |
| 095498 | Drainage valve 1/4" | 4 |
| 095511 | Shut-off valve f/m 3/4" | 5 |

Fittings

LK MultiConnection



| Article no. | Article | Position |
|-------------|-----------------|----------|
| 013035 | Gasket C4400 1" | 1 |
| 013032 | Gasket C4400 ¾" | 2 |
| 012018 | O-ring for M ¾" | 3 |

Prefabricated Pipes

Prefabricated pipes



| Article no. | Article | Position |
|-------------|-----------------------------|----------|
| 013012 | Gasket Klingersil C4430 M20 | 1 |
| 013016 | Gasket Klingersil C4430 M25 | 1 |
| 013010 | Gasket Klingersil C4430 M32 | 1 |
| 013015 | Gasket Klingersil C4430 M40 | 1 |

LK Acaso Products

Loading Valve

Termovar



| Article no. | Article |
|-------------|---|
| 187006 | Thermostatic element 45° - Loading unit |
| 187007 | Thermostatic element 55° - Loading unit |
| 187008 | Thermostatic element 61° - Loading unit |
| 187009 | Thermostatic element 66° - Loading unit |
| 187010 | Thermostatic element 72° - Loading unit |
| 187011 | Thermostatic element 80° - Loading unit |
| 180713 | Check valve - insert blind plate |
| 180352 | Thermometer 120°C, 51x7 mm, l60 |
| 5140512 | Thermometer T60-1/2" 120°C |
| 5749803 | C850-1 1/2"x28 pump valve /union |
| 5749814 | C750-1 1/2"x1" pump valve /union |
| 5749813 | C750-1 1/2"x1 1/4" pump valve /union |
| 180357 | Termovar check valve - Loading unit |
| 013025 | Gasket EPDM 1 1/2" - 44x27x2 |
| 187014 | Pump motor Grundfos UPSO 15-65 |

Thermic Loading Valve

Termovar



S = brass valve
Without s = Cast iron valve

| Article no. | Article |
|-------------|--|
| 187000 | Thermostatic element 45° - Loading unit |
| 187001 | Thermostatic element 55° - Loading unit |
| 187002 | Thermostatic element 61° - Loading unit |
| 187003 | Thermostatic element 66° - Loading unit |
| 187004 | Thermostatic element 72° - Loading unit |
| 187005 | Thermostatic element 80° - Loading unit |
| 180602 | Thermostatic element 45° GG |
| 180603 | Thermostatic element 55° GG |
| 180604 | Thermostatic element 61° GG |
| 180605 | Thermostatic element 72° GG |
| 180606 | Thermostatic element 80° GG |
| 180324 | Termovar cover cast iron GG Rp 3/4" - 2" |
| 180326 | Termovar-S cover MS Rp 1/2" - 1 1/4" |
| 180327 | Termovar Sealing kit MS |

Thermic Loading Valve

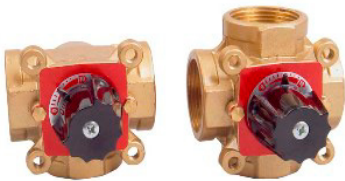
Termovar



| Article no. | Article |
|-------------|-------------------------|
| 180301 | Termovar AF 45°C insert |
| 180302 | Termovar AF 55°C insert |
| 180303 | Termovar AF 61°C insert |
| 180304 | Termovar AF 72°C insert |
| 180305 | Termovar AF 80°C insert |

Mixing Valve

Termomix C and D



| Article no. | Article |
|-------------|-----------------------------|
| 180169 | Termomix CS insert for 4-V |
| 180170 | Termomix DS insert for 3-v |
| 181156 | Termomix sealing kit for MS |
| 180173 | Termomix-s knob for MS |

Mixing Valve

Termomix D



| Article no. | Article |
|-------------|------------------------------|
| 180125 | Thermomix sealing kit for GG |
| 180126 | Thermomix D insert GG |
| 011040 | Knob Termomix H-shunt |

Mixing Valve

Termomix C



Article no.

180124

180125

011040

Article

Termomix A-C insert GG

Thermomix sealing kit for GG

Knob Termomix H-shunt

Mixing Valve

Termomix C



Article no.

180124

180125

011040

Article

Termomix A-C insert GG

Thermomix sealing kit for GG

Knob Termomix H-shunt

LK ARMATUR AB

Garnisonsgatan 49
SE-254 66 Helsingborg
Sweden

Phone: +46 (0)42-16 92 00
info@lkarmatur.se
order@lkarmatur.se

FOR THE SIMPLER, SMARTER EVERYDAY

Simpler. Smarter. More sustainable. At LK, we believe there's a better way to do everything. It's a belief all of us at LK apply to every product and solution we create – from water, heating and hydronic solutions to pipe extrusion.

LK Armatur is a leader in Europe, producing millions of valves per year for the global HVAC market. Beyond individual products, we understand how all parts interact in your complete application. From standard to sophisticated customizations of valves, controllers, components and prefabricated units, our full-spectrum expertise makes it easy to get the results you need today, while anticipating your needs tomorrow.

